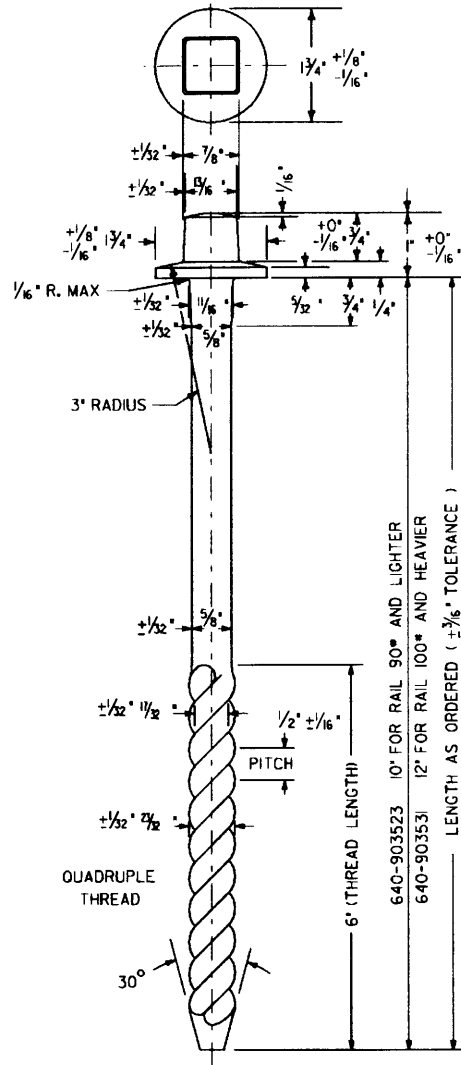


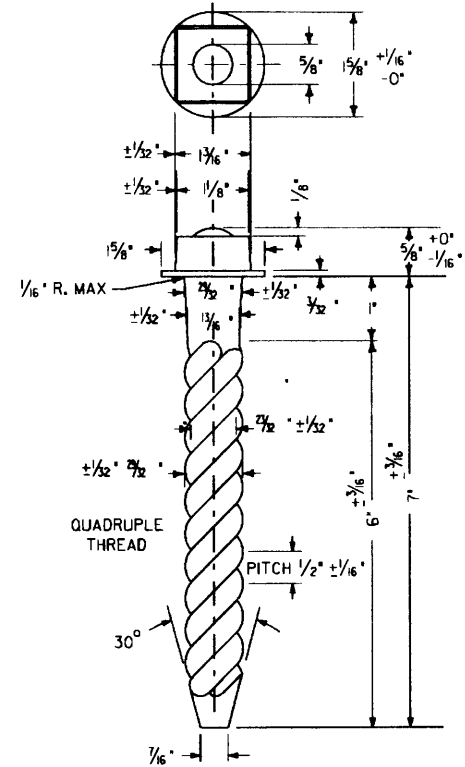
5/8" X 6" CUT TRACK SPIKE

A.R.E.A. STANDARD
 To conform to A.R.E.A. Specifications
 for Soft Steel Cut Spikes.
 Weight Per Spike = 0.8197*
 244 Spikes Per 200* Keg
 640-903705



5/8" GALVANIZED DRIVE SCREW SPIKE
 A.R.E.A. STANDARD
 PLAN 2M-63

For fastening Crossing Timbers
 Drill 1/2" pilot hole in crossies
 10" Length for use with rail 90* R.A. and lighter
 125 Spikes per 200* Keg
 12" Length for use with rail 100* R.E. and heavier
 100 Spikes per 200* Keg



7/8" X 7" GALVANIZED DRIVE SCREW SPIKE
 A.R.E.A. STANDARD

For use where specified in Turnouts
 Drill 1/2" pilot hole
 150 Spikes per 200* Keg
 640-903565

NORFOLK SOUTHERN RAILWAY COMPANY
SPIKES

APRIL 1991

Atlanta, Georgia

REVISION	
DATE	