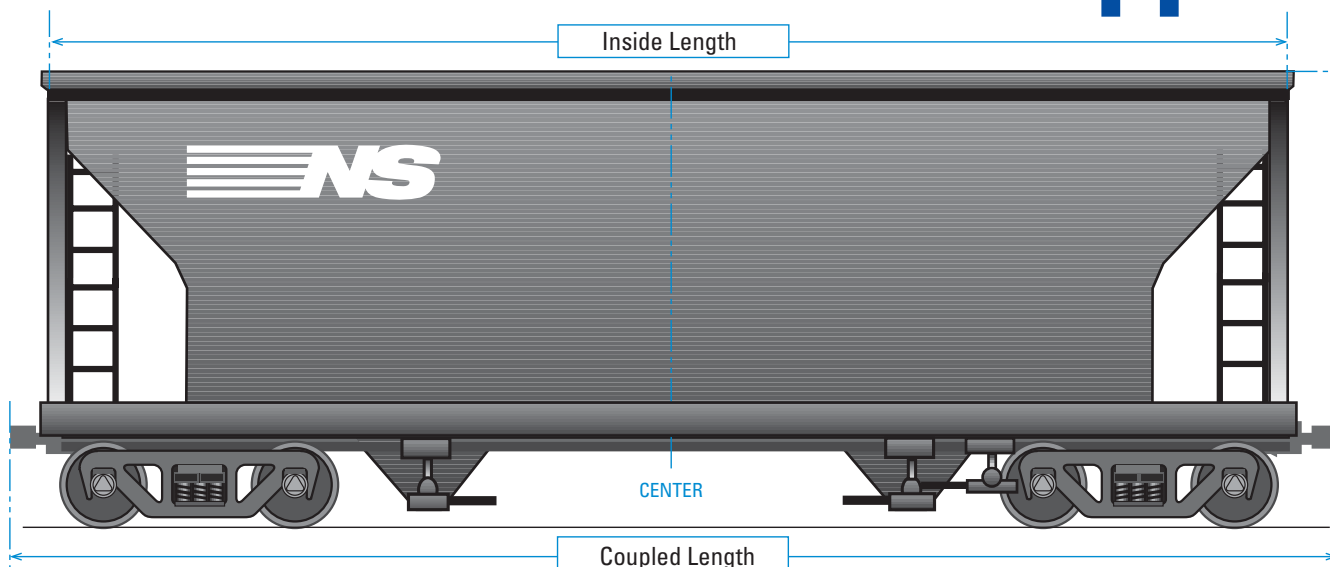


Small-Cube Covered Hopper



DESCRIPTIONS

Small-Cube Covered Hopper Ranges

Load Limits 157,900 to 218,000 lbs
 Cubic Capacities 2,010 to 3,300 ft³

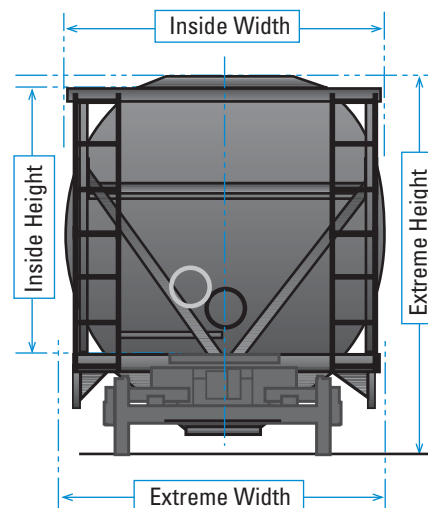
Coupled Lengths 37' 9" to 49' 7"
 Outside Widths 10' 3" to 10' 8"

Gate Configuration Gravity
 Gate Dimensions13 in. x 24 in., 24 in. x 29.9 in., 13 in. x 3' 6"

Hatch Types Round, trough
 Number of Hatches (round) 3 to 10

Car Material Steel, aluminum

Major Commodities Cement, gravel, aggregates



Actual dimensions may vary.