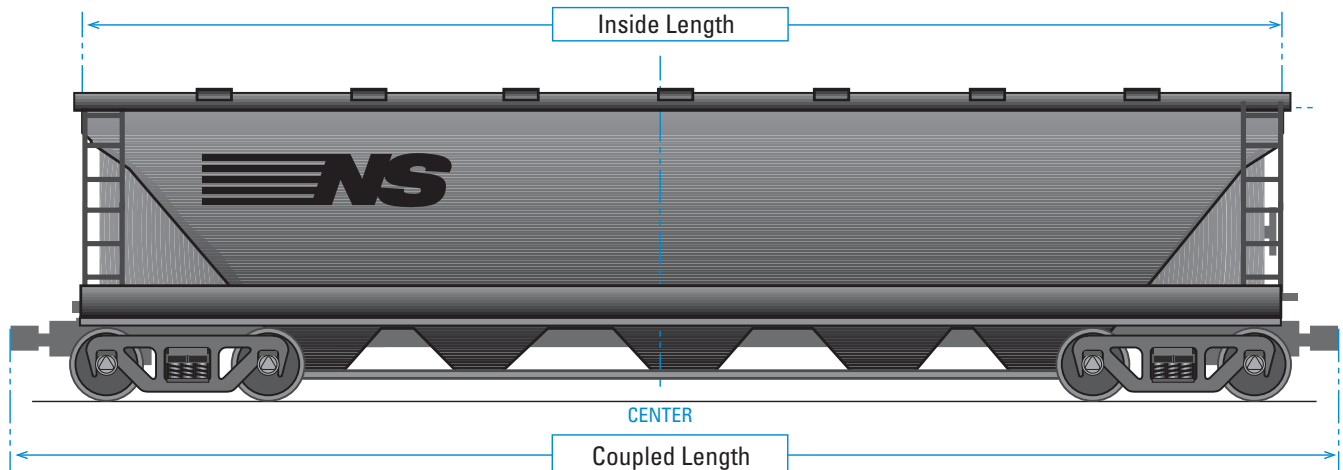


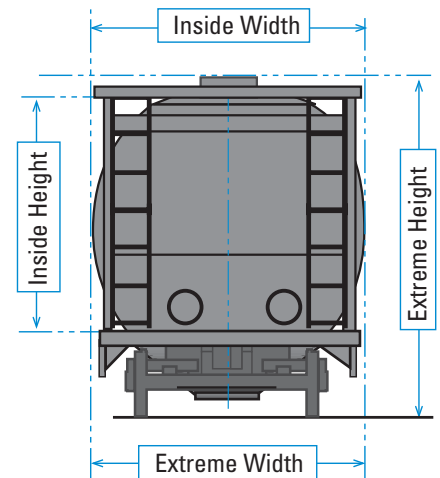
Pressure Differential Hopper



DESCRIPTIONS

Pressure Differential Hopper Ranges

| | |
|---------------------------|-----------------------|
| Load Limit | 193,599 lbs |
| Cubic Capacity | 5,124 ft ³ |
| Outside Length | 65' 10" |
| Outside Width | 10' 4" |
| Pipe Discharge Size | 12.7cm OP Pipe |
| Hatch Type | Round |
| Number of Hatches | 7 |
| Car Material | Steel |
| Major Commodity..... | Flour |



Actual dimensions may vary.