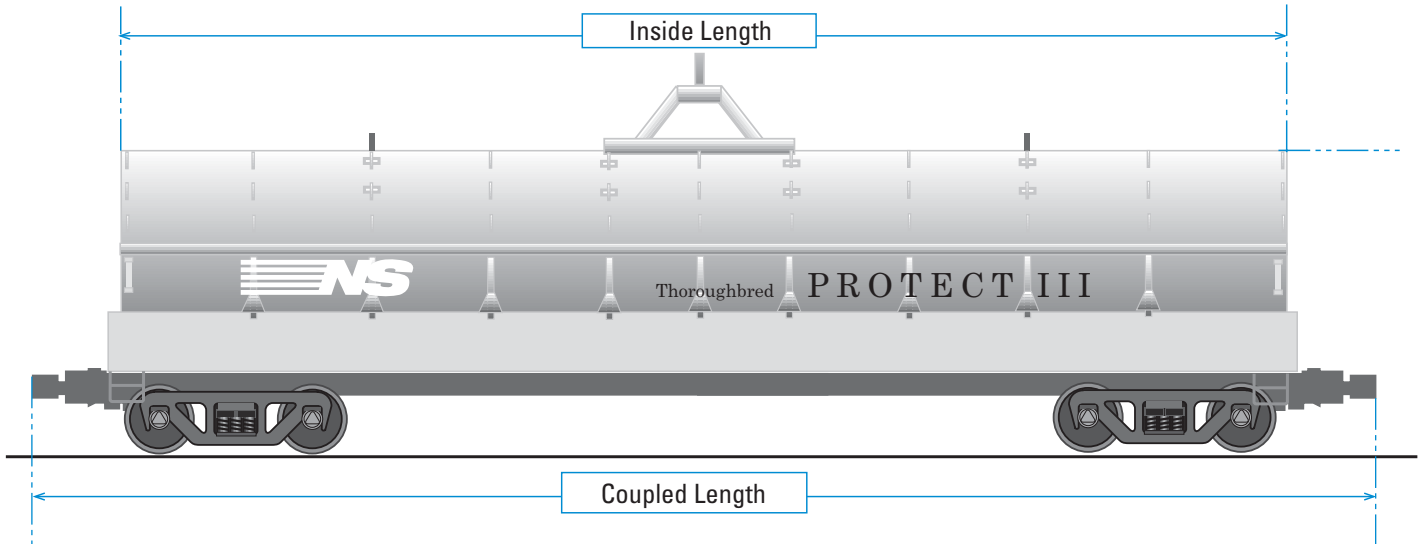


# Covered Coil Car

Protect III/CoilShield II



## DESCRIPTIONS

### Coil Car Ranges

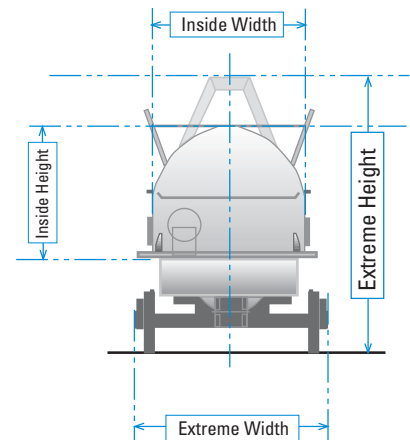
Average Load Limits ..... 190,000 to 224,000 lbs  
 Coil Sizes ..... 30" to 84" max outside diameter

Extreme Heights ..... Up to 14' 8"  
 Extreme Width ..... 10' 8"  
 Coupled Length ..... Up to 52' 1"

Covers ..... Removable cover(s)  
 Troughs/Cradles ..... Single and double  
 Underframes ..... Cushioned

Special Features ..... Insulation, crossbars, wood-lined cradles

Major Commodities ..... Steel and aluminum sheet in coils



Actual dimensions may vary.