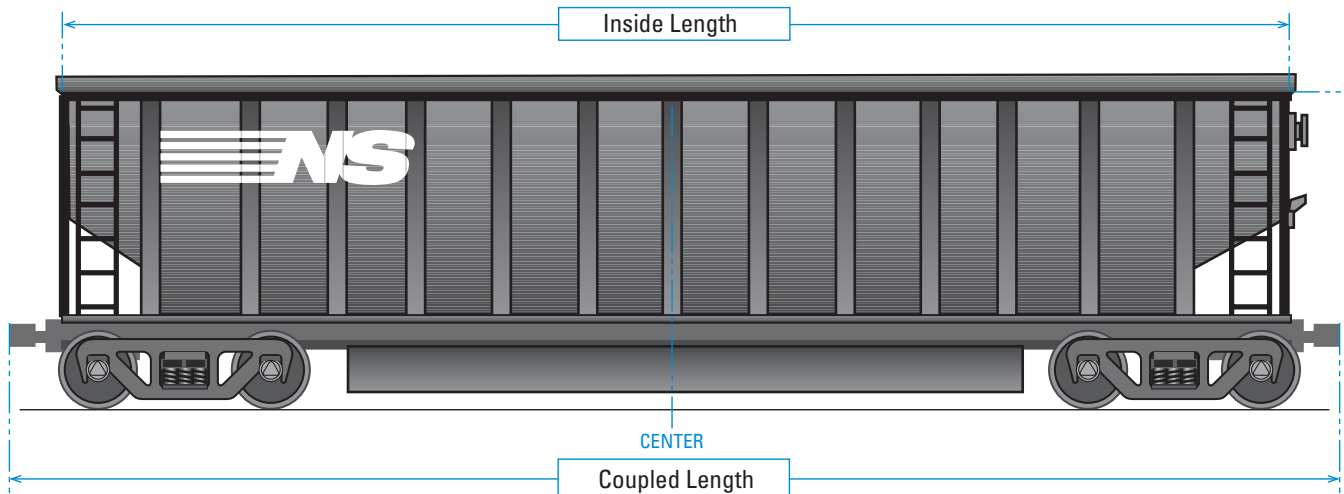


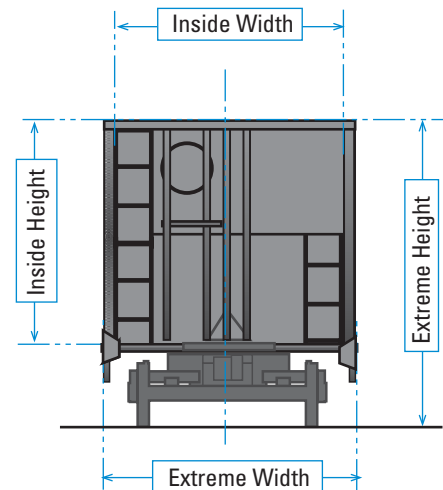
Coal Gondola



DESCRIPTIONS

Coal Gondola Ranges (Stainless Steel, Aluminum and Hybrid)

Load Limits	206,500 to 241,999 lbs
Cubic Capacity	3,620 to 3,949 ft ³
Inside Length	47' 8"
Major Commodity.....	Coal
Special Features	Higher load limit than steel coal hopper cars



Actual dimensions may vary.